

“Stay Connected with Heyco” Strain Relief Bushings



Heyco® Original Strain Relief Bushings

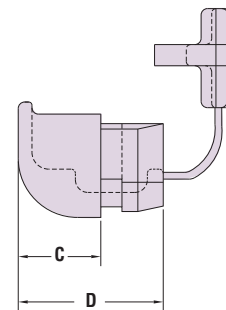
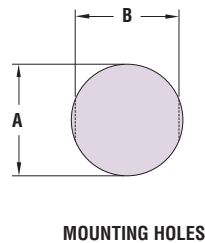
Right Angle for Round Cables

- Provides the same protection for your power supply cable as the straight-thru type AND...
- **Exits the cable flush against the panel**, saving space and directing the cable parallel to the panel.
- Overcomes space limitations and acts as a back or bottom bumper.
- See page 4-38 for corresponding **Mounting Hole Plugs** which can be used to fill blank/unused Mounting Holes and thus allow for a single panel design for multiple applications.
- Consult Heyco for other wire types and sizes.
- See pages 4-27 & 4-28 for SR assembly tools.

| UL Type | WILL FIT THESE CABLES | | | PANEL DIMENSIONS | | | | | | PART NO. Black | DESC. | PART DIMENSIONS | | | | Mounting Hole Plug PART NO. |
|---------------|-----------------------|------------------|------|----------------------|-----------|-----------------------|------|-------------------------------|-----|----------------|---------|-----------------|------|---------------|------|-----------------------------|
| | AWG/ Conductors | Approximate Size | | A Mounting Hole Dia. | | B To Prevent Rotation | | Finished Fit Panel Thickness* | | | | C HEAD LENGTH | | D BODY LENGTH | | |
| | | in. | mm. | in. | mm. | in. | mm. | in. | mm. | | | in. | mm. | in. | mm. | |
| SV & SVT | 18/2 | .250 | 6,4 | .500 | 12,7 | .450 | 11,4 | .100 | 2,5 | 1374 | SR 15-1 | .390 | 9,9 | .687 | 17,5 | 2491 |
| | 18/3 | .265 | 6,7 | .500-.515 | 12,7-13,1 | | | | | | | | | | | |
| HPD | 18/2 | .270 | 6,9 | .500 | 12,7 | .450 | 11,4 | .100 | 2,5 | 1374 | SR 15-1 | .390 | 9,9 | .687 | 17,5 | 2491 |
| | 16/2 | .290 | 7,4 | .500-.515 | 12,7-13,1 | | | | | | | | | | | |
| SJ, SJO & SJT | 18/2 | .300 | 7,6 | .625 | 15,9 | .550 | 14,0 | .125 | 3,2 | 1320 | SR 10-2 | .563 | 14,3 | .968 | 24,6 | 2497 |
| | 16/2 | .325 | 8,3 | | | | | | | | | | | | | |
| | 18/3 | .330 | 8,4 | | | | | | | | | | | | | |
| SJ | 16/3 | .330 | 8,4 | .625 | 15,9 | .550 | 14,0 | .125 | 3,2 | 1327 | SR 11-2 | .563 | 14,3 | .968 | 24,6 | 2497 |
| SJ, SJO & SJT | 16/2 | .325 | 8,3 | | | | | | | | | | | | | |
| | 18/3 | .330 | 8,4 | | | | | | | | | | | | | |
| SJT | 16/3 | .335 | 9,0 | .750 | 19,0 | .660 | 16,8 | .125 | 3,2 | 1397 | SR 17-2 | .640 | 16,3 | 1.093 | 27,7 | 2503 |
| SJT & SJTO | 14/3 | .370 | 9,4 | | | | | | | | | | | | | |
| SJ & ST | 18/2 | .390 | 9,9 | .750 | 19,0 | .660 | 16,8 | .125 | 3,2 | 1397 | SR 17-2 | .640 | 16,3 | 1.093 | 27,7 | 2503 |
| | 18/3 | .405 | 10,3 | | | | | | | | | | | | | |
| | 16/2 | .405 | 10,3 | | | | | | | | | | | | | |
| | 16/3 | .430 | 10,9 | | | | | | | | | | | | | |

Standard color black. Consult Heyco for white and other colors.

*Maximum Panel Thickness. Part has additional clearance. Consult Heyco for your Custom Finished Fit Panel Thickness.



Quick Specs

| | |
|---------------------|---|
| Material | Nylon 6/6 |
| Certifications | UL Recognized under the Component Program of Underwriters' Laboratories File E15331 |
| | CSA Certified by the Canadian Standards Association File 8919 |
| Flammability Rating | 94V-2 |
| Temperature Range | -04°F (-18°C) to 221°F (105°C) |

"Stay Connected with Heyco" Strain Relief Bushings

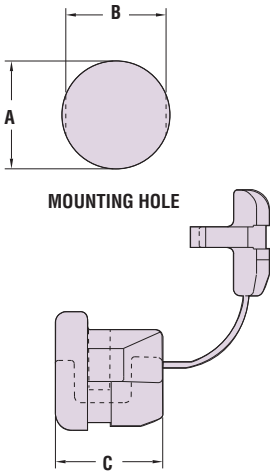


Heyco® Original Strain Relief Bushings

Straight-Thru for Flat Cables

.375" (9,5 mm) to .500" (12,7 mm) Mounting Holes

- **Protects the lifeline of your electric/ electronic products** by absorbing the forces of pull, push, and twist that may be exerted on the flexible power cord.
- Securely anchors, insulates, and protects cable at panel entry points.
- Sizes for thin .040" (1,0 mm) panel available: SR 4A-6 & SR 3A-4. See charts for details.
- See page 4-38 for corresponding **Mounting Hole Plugs** which can be used to fill blank/unused Mounting Holes and thus allow for a single panel design for multiple applications.
- Consult Heyco for other wire types and sizes.
- See pages 4-27 & 4-28 for SR assembly tools.



| UL Type | WILL FIT THESE CABLES | | PANEL DIMENSIONS | | | | | | PART NO. | DESCRIPTION | PART DIM. | | Mounting Hole Plug PART NO. | |
|-------------------------------|-----------------------|------------------|----------------------|---------------|-----------------------|-----------|-------------------------------|-------------|-----------|-------------|---------------|------|-----------------------------|---------------|
| | AWG/ Conductors | Approximate Size | A Mounting Hole Dia. | | B To Prevent Rotation | | Finished Fit Panel Thickness* | | | | C BODY LENGTH | | | |
| | | in. mm. | in. mm. | in. mm. | in. mm. | in. mm. | in. mm. | in. mm. | in. mm. | in. mm. | in. mm. | | | |
| 300 OHM† | 20/2 22/2 | .06 x .40 | 1,5 x 10,2 | .375 .375 | 9,5 9,5 | | | | | | | | | |
| SPT-1 | 18/2 18/3 | .12 x .30 | 3,0 x 7,6 | .375 .390 | 9,5 9,9 | .625- | 15,9- | | | | | | | |
| SPT-2 | 18/2 18/3 | .15 x .40 | 3,8 x 10,2 | .415 .422 | 10,5 10,7 | .640 | 16,3 | .100 | 2,5 | 1814 | SR 302-1** | .469 | 11,9 | consult Heyco |
| | 16/2 16/3 | .16 x .41 | 4,1 x 10,4 | .422 .437 | 10,7 11,1 | | | | | | | | | |
| Same as SR 302-1 above except | | | | | | | | .156 | 4,0 | 1804 | SR 300-1 | .469 | 11,9 | consult Heyco |
| CLOCK, X & XT | 20/2 | .09 x .18 | 2,3 x 4,6 | .375 | 9,5 | .345 | 8,8 | .062 | 1,6 | 1017 | SR 2P-4 | .406 | 10,3 | 2617 |
| SPT-1 | 18/2 | .11 x .21 | 2,8 x 5,3 | | | | | | | | | | | |
| Same as SR 2P-4 above except | | | | | | | | .125 | 3,2 | 1034 | SR 2L-1 | .406 | 10,3 | 2617 |
| SPT-1 | 18/2 | .12 x .22 | 3,0 x 5,6 | .437 | 11,1 | .390 | 9,9 | .040 *** | 1,0 | 1074 | SR 3A-4 | .406 | 10,3 | 2488 |
| Same as SR 3A-4 above except | | | | | | | | .062 | 1,6 | 1077 | SR 3P-4 | .406 | 10,3 | 2488 |
| | | | | | | | | .100 | 2,5 | 1104 | SR 3W-1 | .406 | 10,3 | |
| | | | | | | | | .156 | 4,0 | 1094 | SR 3L-1 | .406 | 10,3 | consult Heyco |
| SPT-1, SPT-2 & HPN | 18/2 | .12 x .22 | 3,0 x 5,6 | .500 | 12,7 | .445 | 11,3 | .100 | 2,5 | 1130 | SR 4P-4 | .440 | 11,2 | 2491 |
| SPT-1 | 18/3 | .12 x .30 | 3,0 x 7,6 | | | | | | | | | | | |
| SPT-2 & HPN | 18/2 | .15 x .28 | 3,8 x 7,1 | .500 | 12,7 | .445 | 11,3 | .062 | 1,6 | 1120 | SR 4N-4 | .406 | 10,3 | 2491 |
| Same as SR 4N-4 above except | | | | | | | | .100 | 2,5 | 1117 | SR 4K-4 | .406 | 10,3 | 2491 |
| | | | | | | | | .156 | 4,0 | 1127 | SR 4L-4 | .406 | 10,3 | consult Heyco |
| SPT-1 | 18/3 | .12 x .30 | 3,0 x 7,6 | | | | | | | | | | | |
| SPT-2 & HPN | 18/2 | .15 x .28 | 3,8 x 7,1 | .500 | 12,7 | | | | | | | | | |
| HPN | 18/3 | .15 x .34 | 3,8 x 8,6 | | | .460 | 11,7 | .095 | 2,4 | 1114 | SR 4K-1 | .500 | 12,7 | 2491 |
| SPT-2 HPN | 16/2 | .16 x .30 | 4,1 x 7,6 | .500- .515 | 12,7- 13,1 | | | | | | | | | |
| Same as SR 4K-1 above except | | | | | | | | .187 | 4,7 | 1124 | SR 4L-1 | .500 | 12,7 | consult Heyco |

Standard color black. Consult Heyco for white and other colors.

†Wire is not UL/CSA approved.

* Maximum Panel Thickness. Part has additional clearance. Consult Heyco for your Custom Finished Fit Panel Thickness.

**Use Elongated Mounting Hole.

***To install Strain Reliefs for .040" (1,0 mm) Maximum Panel Thickness use Part No. **0021** (No. R 291) Hand Pliers.



*To install strain reliefs for .040" (1,0 mm) maximum panel thickness, use **Part #0021** (No. R 291) Hand Pliers.

Material

Nylon 6/6

Certifications



Recognized under the Component Program of Underwriters' Laboratories File E15331



Certified by the Canadian Standards Association File 8919

Flammability Rating

94V-2

Temperature Range

-04°F (-18°C) to 221°F (105°C)

"Stay Connected with Heyco" Strain Relief Bushings

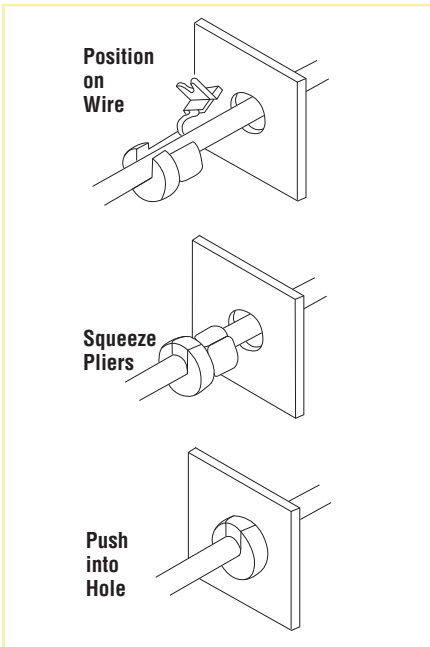


Heyco® Original Strain Relief Bushings

Straight-Thru for Round Cables

.375" (9,5 mm) to .500" (12,7 mm) Mounting Holes

- Protects the lifeline of your electric/electronic products by absorbing the forces of pull, push, and twist that maybe exerted on the flexible power cord.
- Securely anchors, insulates, and protects cables at panel entry points.
- Sizes SR 2-Series to SR 6-Series for mounting hole diameters from .375" (9,5 mm) to .500" (12,7 mm).
- See page 4-38 for corresponding **Mounting Hole Plugs** which can be used to fill blank/unused Mounting Holes and thus allow for a single panel design for multiple applications.
- See pages 4-27 & 4-28 for SR assembly tools.
- See schematic on page 4-20.



| WILL FIT THESE CABLES | | | | PANEL DIMENSIONS | | | | | | PART NO. | DESCRIPTION | PART DIM. | | Mounting Hole Plug PART NO. | |
|------------------------------------|----------------|------------------|---------|----------------------|-----------|-----------------------|------|-------------------------------|------|-------------|-------------|-----------|---------------|-----------------------------|------|
| UL Type | AWG/Conductors | Approximate Size | | A Mounting Hole Dia. | | B To Prevent Rotation | | Finished Fit Panel Thickness* | | | | Black | C BODY LENGTH | | |
| | | in. | mm. | in. | mm. | in. | mm. | in. | mm. | | in. | | mm. | | |
| AWM | 12/1 | .125-.187 | 3,2-4,8 | .375 | 9,5 | .330 | 8,4 | .062 | 1,6 | 1060 | SR 2M-1 | .406 | 10,3 | 2617 | |
| SV & SVT | 18/2 | .220-.245 | 5,6-6,2 | .500 | 12,7 | .450 | 11,4 | .062 | 1,6 | 1157 | SR 5MN-3 | .438 | 11,1 | 2491 | |
| Same as SR 5MN-3 above except | | | | | | | | | .100 | 2,5 | 1140 | SR 5M-3 | .438 | 11,1 | 2491 |
| For custom interlock cable, not UR | | .250 | 6,4 | .560 | 14,2 | .730 | 18,5 | .125 | 3,2 | 1487 | SR 30-1A** | .672 | 17,1 | consult Heyco | |
| | | .265 | 6,7 | .560 | 14,2 | .730 | 18,5 | .125 | 3,2 | 1490 | SR 30-1B** | | | | |
| SV & SVT | 18/2 | .250 | 6,4 | .500 | 12,7 | | | | | | | | | | |
| | 18/3 | .255 | 6,5 | .500-.515 | 12,7-13,1 | | | | | | | | | | |
| HPD | 18/2 | .270 | 6,9 | .500 | 12,7 | .450 | 11,4 | .062 | 1,6 | 1150 | SR 5N-4 | .438 | 11,1 | 2491 | |
| | 16/2 | .290 | 7,4 | .500-.515 | 13,1 | | | | | | | | | | |
| SJT | 18/2 | .300 | 7,6 | .531 | 13,5 | | | | | 1147 | SR 5P-4 | .438 | 11,1 | 2491 | |
| Same as SR 5N-4 above except | | | | | | | | | | | .156 | 4,0 | 1154 | SR 5L-1 | .438 |
| SV & SVT | 18/2 | .255 | 6,5 | .500 | 12,7 | .450 | 11,4 | .100 | 2,5 | 1137 | SR 5P3-4 | .438 | 11,1 | 2491 | |
| | 18/3 | .270 | 6,9 | | | | | | | | | | | | |
| HPD | 18/2 | .290 | 7,4 | .500 | 12,7 | .465 | 11,8 | .090 | 2,3 | 1184 | SR 6W-1 | .438 | 11,1 | 2491 | |
| SJ, SJT & SJO | 18/2 | .300 | 7,6 | | | | | | | | | | | | |
| SPT-3 | 16/2 | | | | | | | | | | | | | | |

Standard color black. Consult Heyco for white and other colors.

*Maximum Panel Thickness. Part has additional clearance. Consult Heyco for your Custom Finished Fit Panel Thickness.

**Use Elongated Mounting Hole.

Material

Nylon 6/6

Certifications



Recognized under the Component Program of Underwriters' Laboratories File E15331



Certified by the Canadian Standards Association File 8919

Flammability Rating

94V-2

Temperature Range

-.04°F (-18°C) to 221°F (105°C)

Quick Specs

