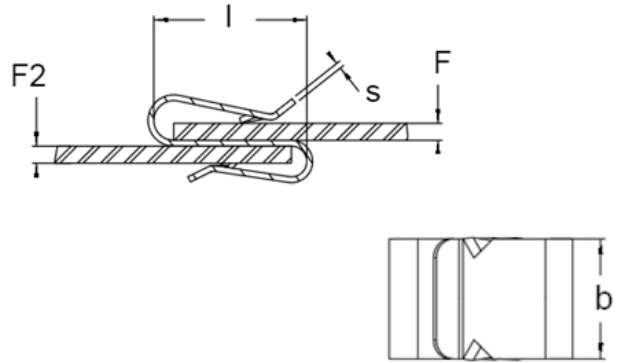


**Panel Clips**  
S-Clips

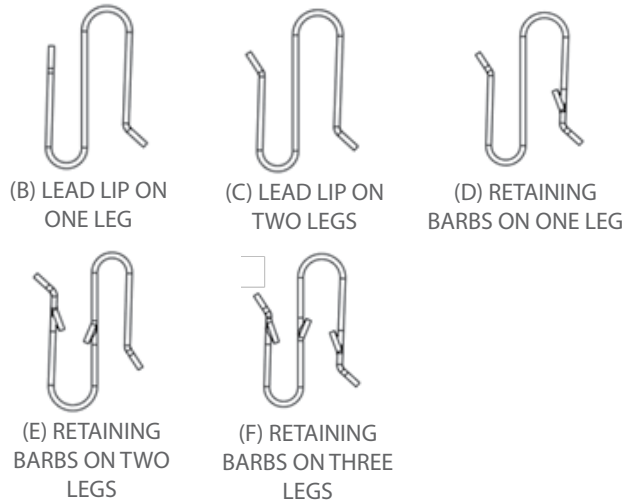


**APPLICATION INFORMATION**



- Used for attaching parallel panels in opposing directions
- Slide easily over metal, plastic or wooden panels providing firm, vibration-free assembly
- The spring steel "cushions" the joint, preventing chipping and other damage during shipping and handling
- Self-sufficient - requiring no holes, screws, welds, rivets or other secondary fastening devices
- Turned-up lead lips on one or both legs ease assembly over the panel edges
- Some are equipped with barbs for positive retention of the panel
- No tools required
- Insertion and retention performance is dependent on component attributes and material

**DESIGN VARIATIONS**



- Lead lips ease assembly
- Barbs increase retention

**AC** [advancecomponents.com](http://advancecomponents.com) 972-446-5500



On Panel  
Edges

## Panel Clips

### S-Clips

#### Imperial

Part Number	Legacy Part Number	Panel Thickness (F)	Panel Thickness (F2)	Width (b)	Length (l)	Material Thickness (s)	Design Variation
136821	C28173-025	0.040 - 0.080	0.120 - 0.136	0.500	0.545	0.025	B
136777	C22306-025	0.043 - 0.053	0.025 - 0.060	0.562	0.540	0.025	CD
137578	D44684-020	0.048 - 0.080	0.070 - 0.110	0.375	0.530	0.020	CF
136907	C52161-020	0.050 - 0.070	0.050 - 0.070	0.380	0.565	0.020	CE
136958	C58137-025	0.055 - 0.060	0.025 - 0.060	0.562	0.540	0.025	C
137572	D40991-020	0.055 - 0.065	0.080 - 0.110	0.375	0.530	0.020	BF
136901	C48766-020	0.070 - 0.080	0.070 - 0.110	0.375	0.530	0.020	CF
136918	C55113-020	0.090 - 0.130	0.090 - 0.130	0.375	0.530	0.020	CE
136920	C55638-020	0.161 - 0.170	0.090 - 0.130	0.375	0.520	0.020	CE

#### Metric

Part Number	Legacy Part Number	Panel Thickness (F)	Panel Thickness (F2)	Width (b)	Length (l)	Material Thickness (s)	Design Variation
137677	D98707-051M	1.25 - 2.00	1.80 - 2.80	9.55	13.45	0.51	BF
137009	C58675-064M	1.50 - 2.00	1.50 - 2.00	12.75	19.00	0.64	E
137830	D99044-043M	2.30 - 3.30	2.30 - 3.30	9.55	13.50	0.43	BF
136942	C57908-043M	2.50 - 2.80	2.50 - 2.80	9.53	22.36	0.43	CF

*Most parts manufactured in spring steel*



advancecomponents.com 972-446-5500