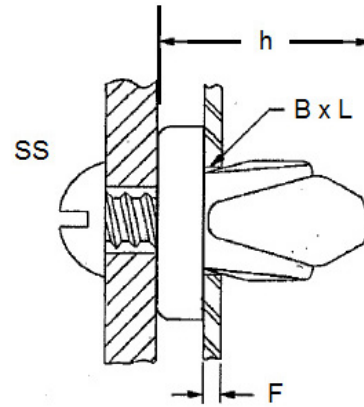


In Panel
Holes

Expansion Nuts Plastic

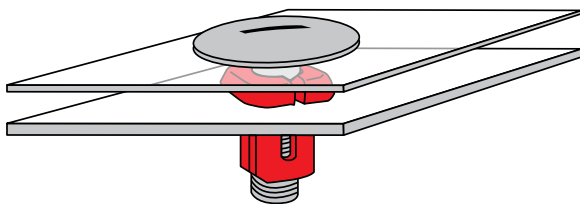


Imperial

Part Number	Legacy Part Number	Thread Specification (SS)	Panel Thickness (F)	Hole Width (B)	Hole Length (L)	Height (h)
137033	C61374AA-250	#8 (ST4.2), #10 (ST4.8)	0.020 - 0.076	0.250 - 0.281	0.266	0.690
137020	C60053AA-031	#8 (ST4.2), #10 (ST4.8)	0.020 - 0.076	0.250 - 0.281	0.266	0.471
137036	C61408AA-125	#8 (ST4.2), #10 (ST4.8)	0.020 - 0.076	0.250 - 0.281	0.266	0.565

Most parts manufactured in nylon

APPLICATION INFORMATION



- Used to attach components to a panel with holes
- Fast, vibration-resistant attachment in blind or center-panel locations where only one side is accessible
- For applications where metal to metal contact is not desired
- Snap easily into rectangular or oblong holes
- Completely enclosed in plastic, the screw threads are protected from corrosion or galvanic action
- All designs can be incorporated with a seal
- For higher retention performance, use metal expansion nuts



advancecomponents.com 972-446-5500